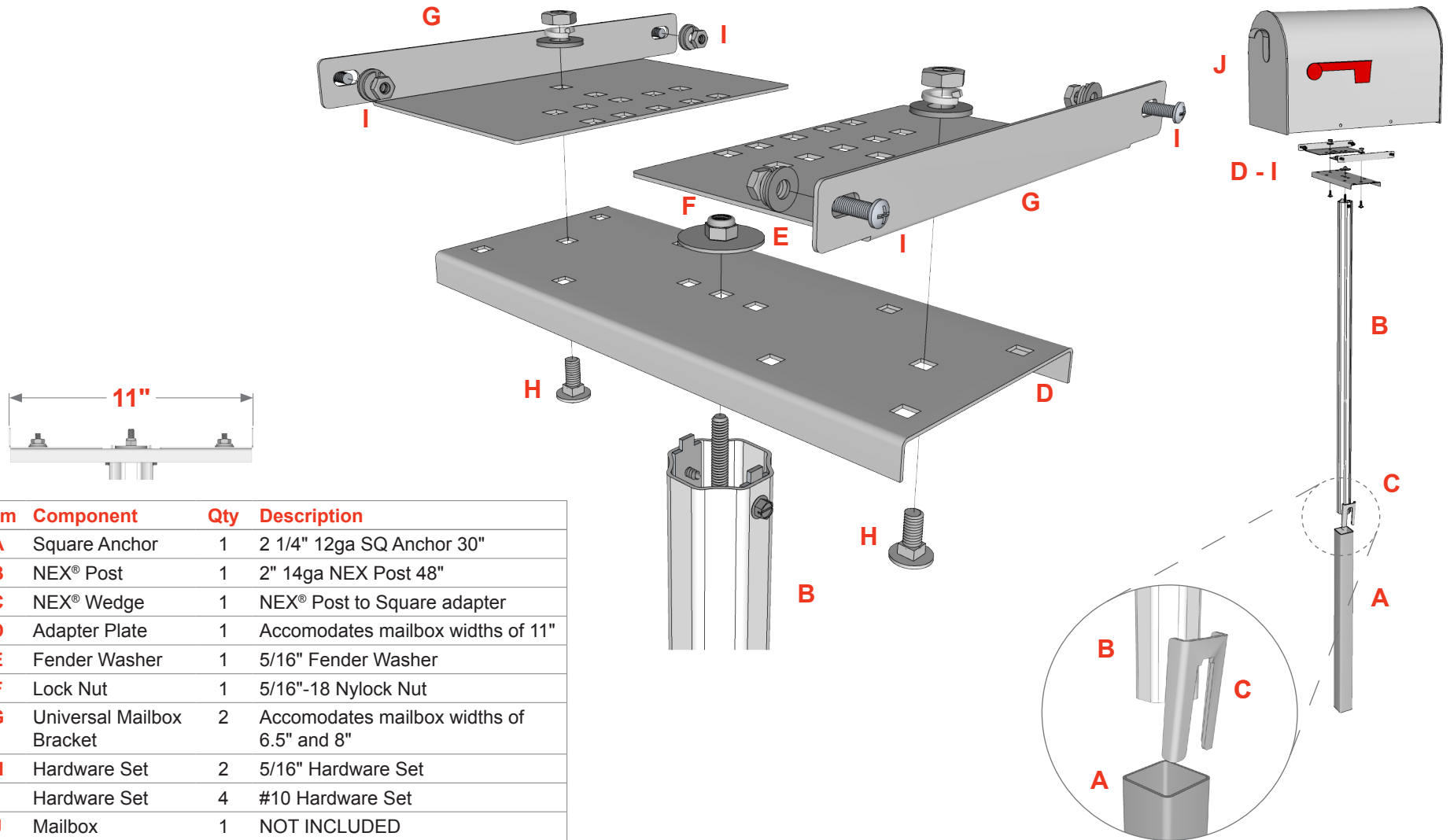


# NEX® Single Jumbo Mailbox Support System

## Parts & Assemblies



Part No.: NEXBOXJUMBOKITSG



Item	Component	Qty	Description
A	Square Anchor	1	2 1/4" 12ga SQ Anchor 30"
B	NEX® Post	1	2" 14ga NEX Post 48"
C	NEX® Wedge	1	NEX® Post to Square adapter
D	Adapter Plate	1	Accommodates mailbox widths of 11"
E	Fender Washer	1	5/16" Fender Washer
F	Lock Nut	1	5/16"-18 Nylock Nut
G	Universal Mailbox Bracket	2	Accommodates mailbox widths of 6.5" and 8"
H	Hardware Set	2	5/16" Hardware Set
I	Hardware Set	4	#10 Hardware Set
J	Mailbox	1	NOT INCLUDED

